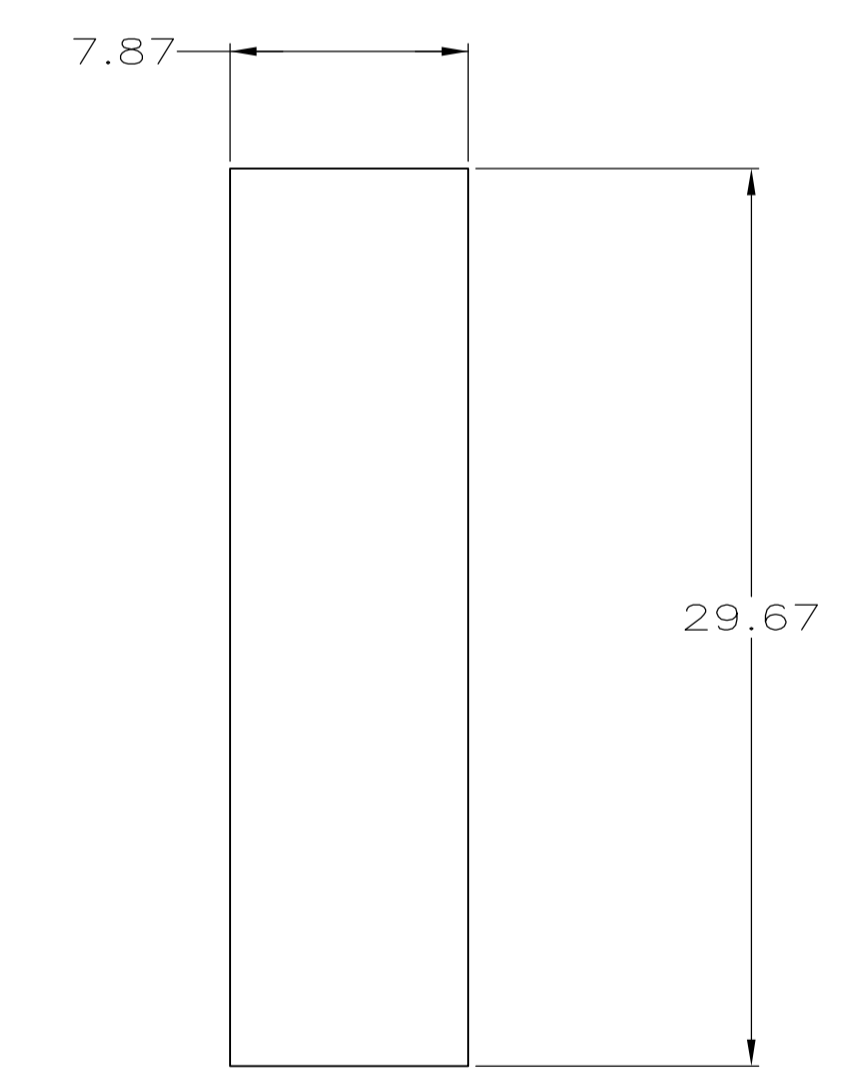
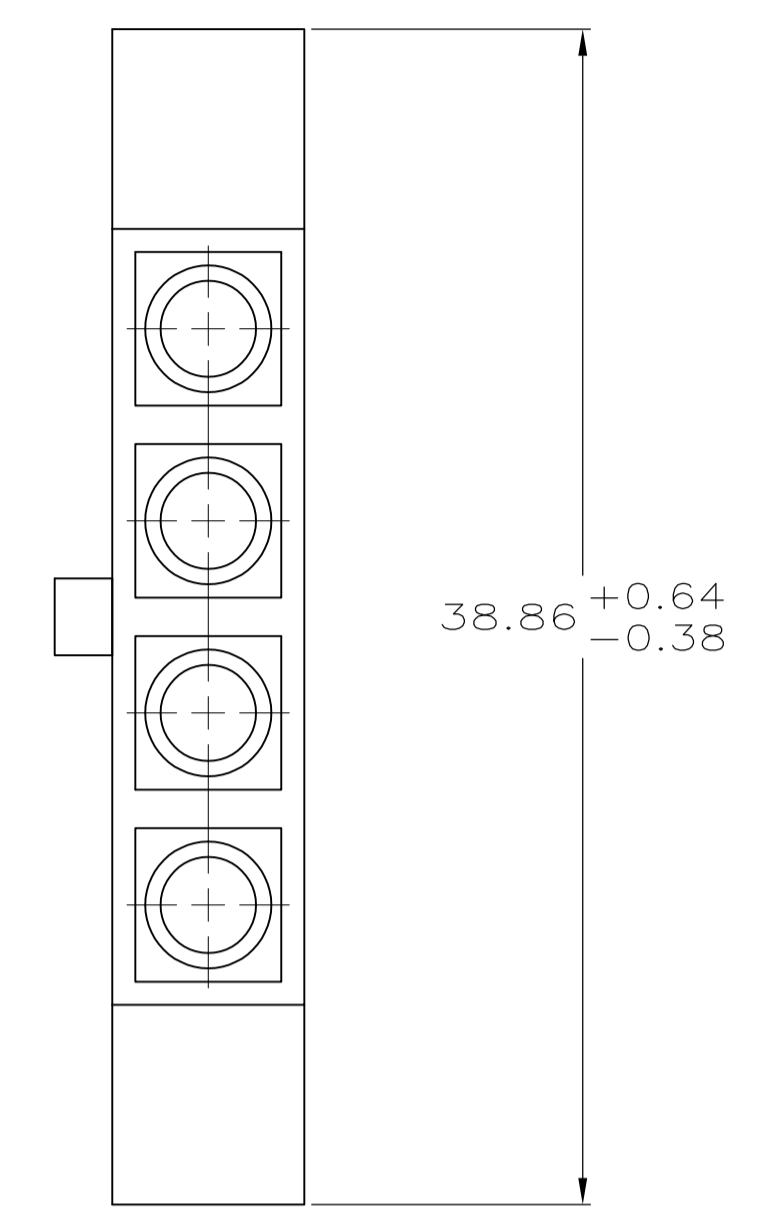
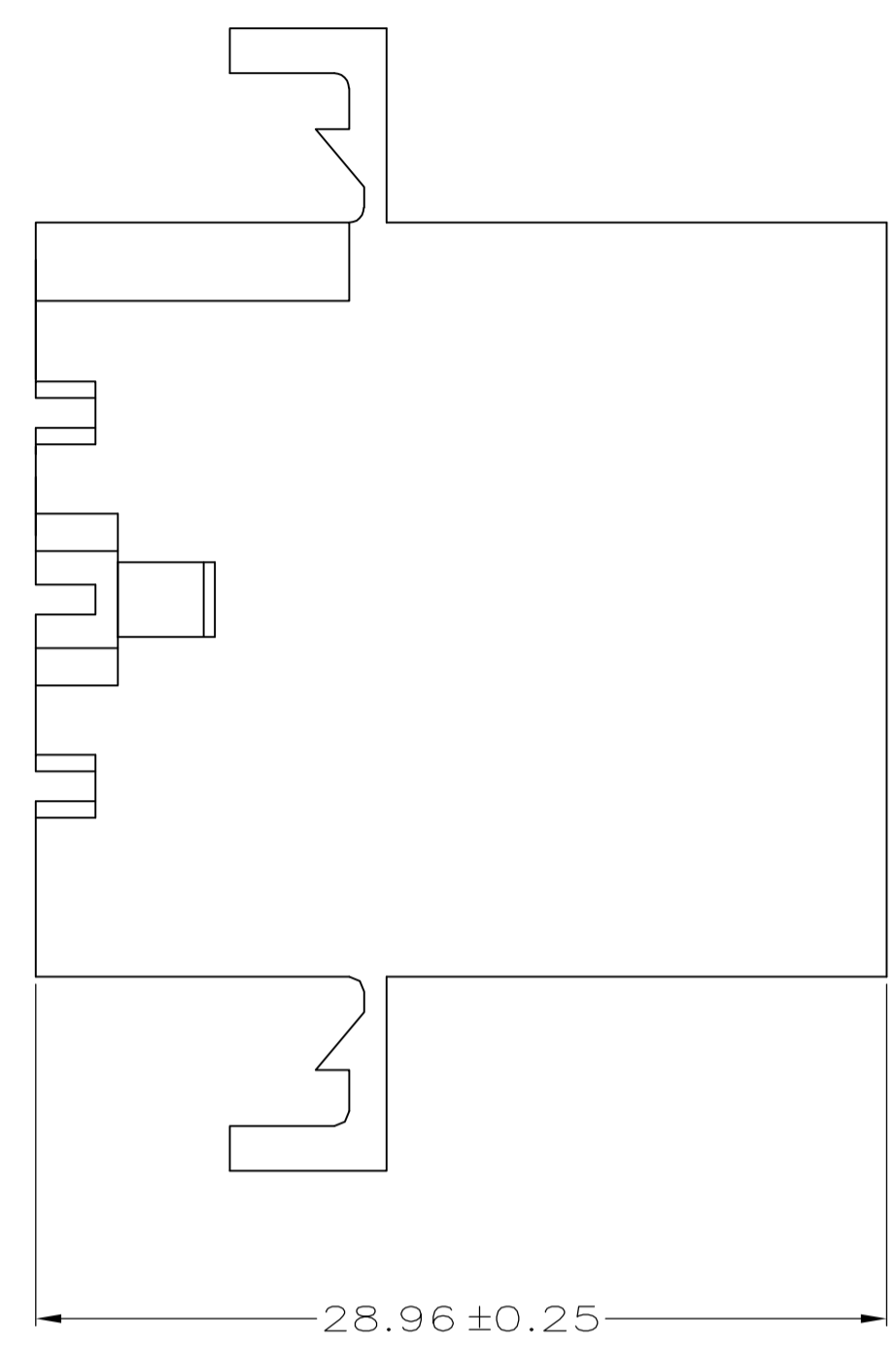
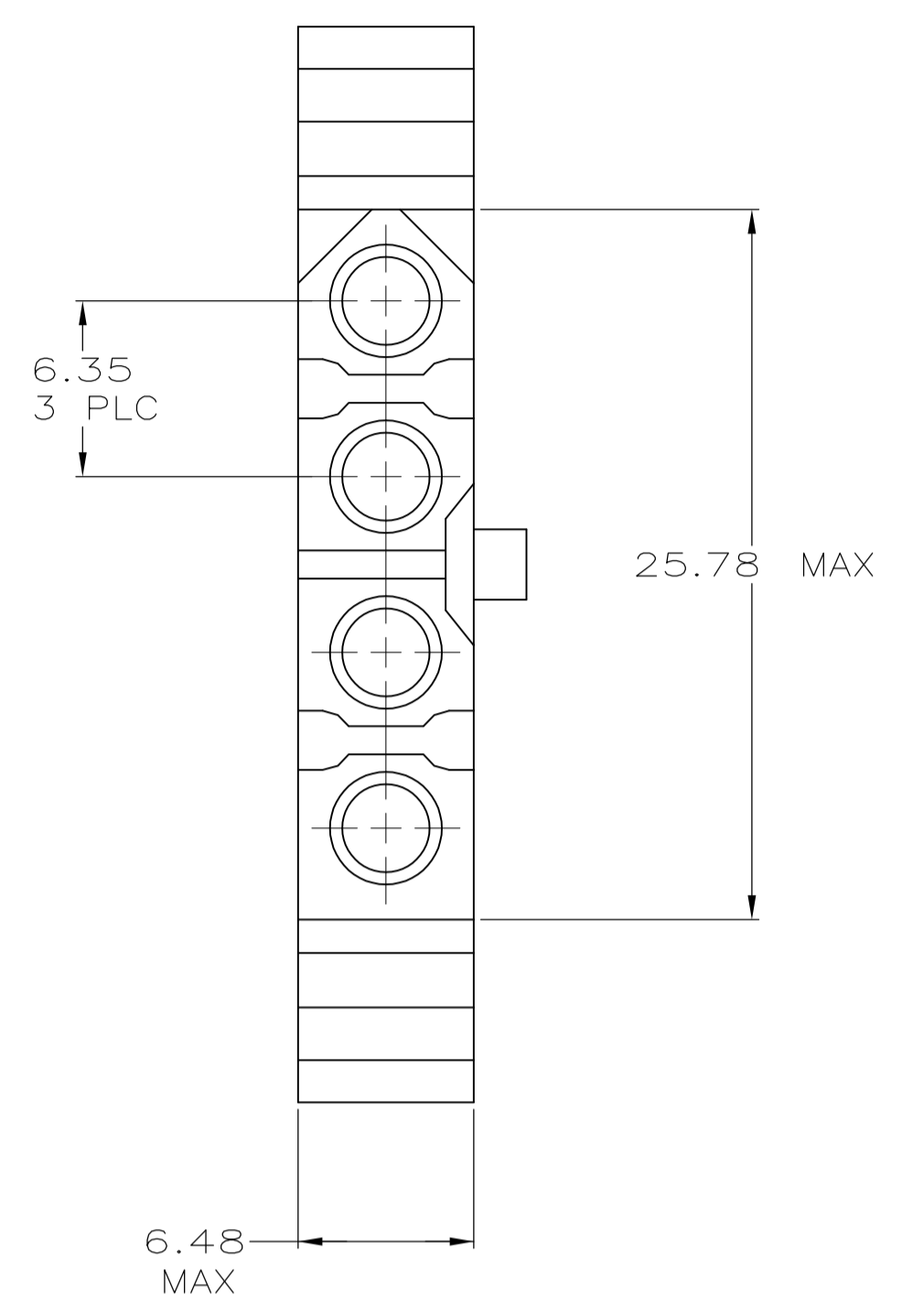
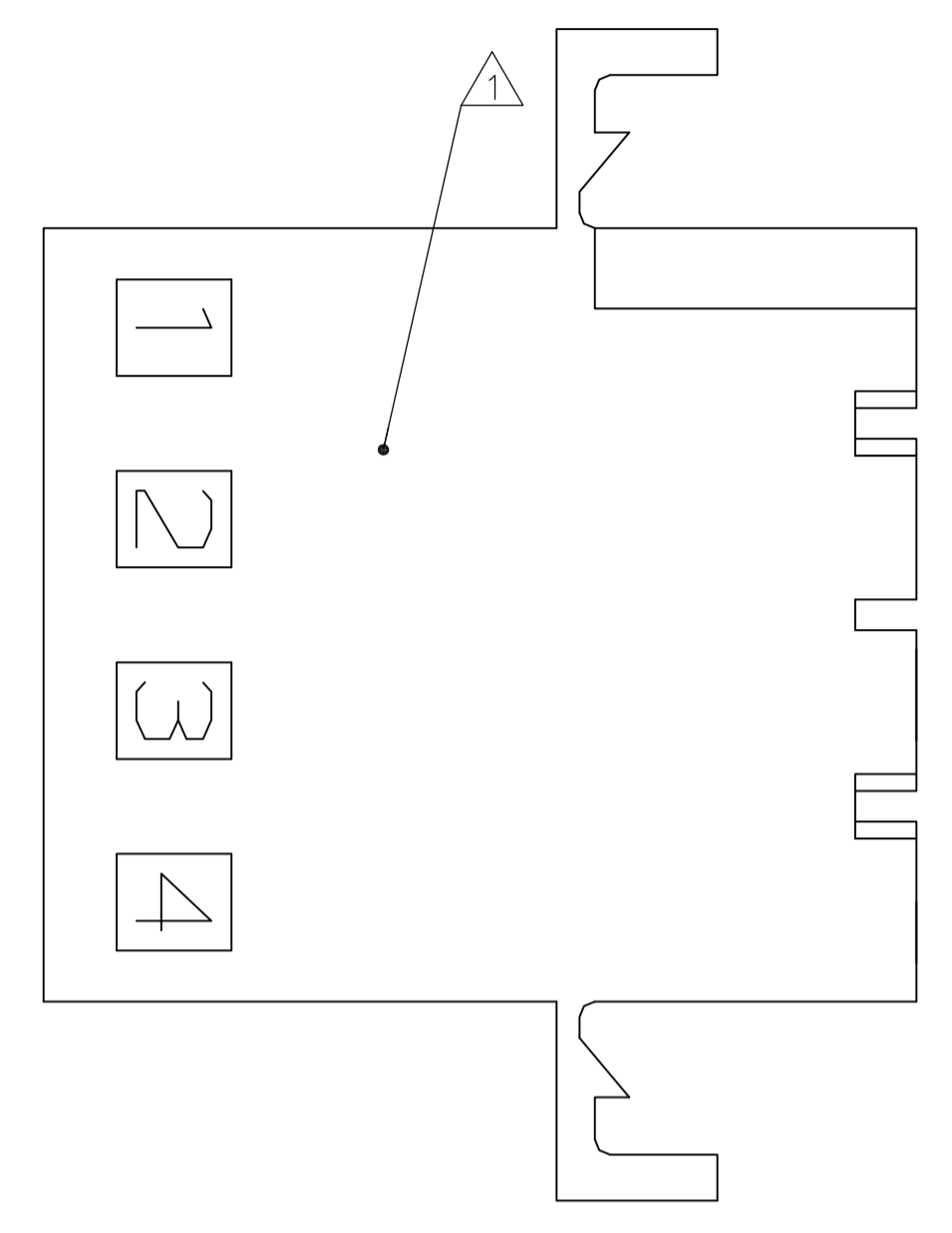
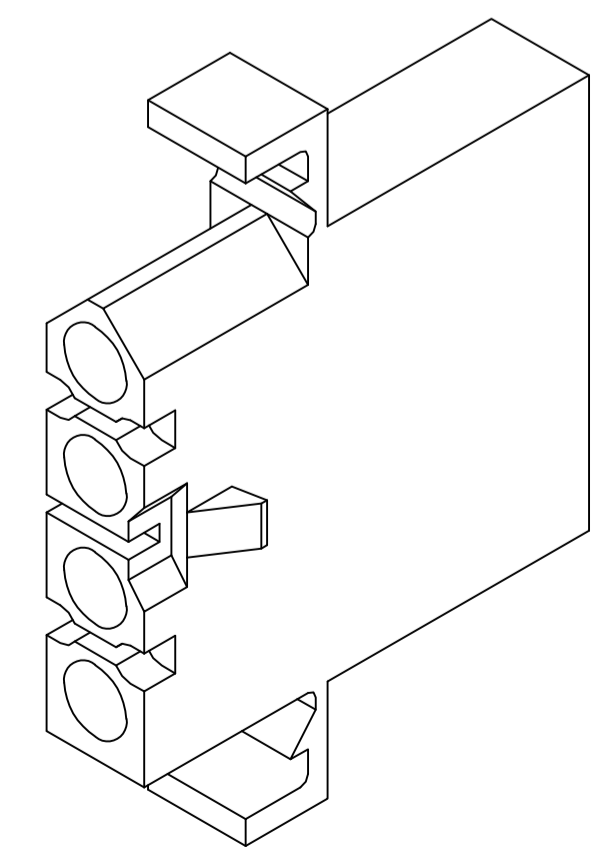


AMP LOGO LOCATED THIS SURFACE.



RECOMMENDED CUT OUT FOR 1.58 MAX THICK PANEL



3-DIMENSIONAL MODEL NTS

6.35	.250	38.86	1.530
1.58	.062	29.67	1.168
0.64	.025	28.96	1.140
0.38	.015	25.78	1.015
0.25	.010	7.87	.310
0.13	.005	6.48	.255
MM	IN	MM	IN

CONVERSION TABLE

770329-1
PART NUMBER

THIS DRAWING IS A CONTROLLED DOCUMENT.		DIN K. WHITAKER 9-02-98	 TE Connectivity
DIMENSIONS: mm		CHK R. SWING 9-02-98	
TOLERANCES UNLESS OTHERWISE SPECIFIED:		APVD K. COBLE 9-02-98	NAME
0 PLC ± -		PRODUCT SPEC	RECEPTACLE, PANEL MOUNT, 4 CIRCUIT, .250 PIN AND SOCKET
1 PLC ± -		APPLICATION SPEC	SIZE
2 PLC ± 0.13		114-1013	CAGE CODE
3 PLC ± -		WEIGHT	DRAWING NO
4 PLC ± -		A1 00779	RESTRICTED TO
ANGLES ± -		C=770329	SCALE
MATERIAL NYLON,	FINISH -	CUSTOMER DRAWING	4:1
		SHEET	1 OF 1
		REV	J1